

FIG. 1A

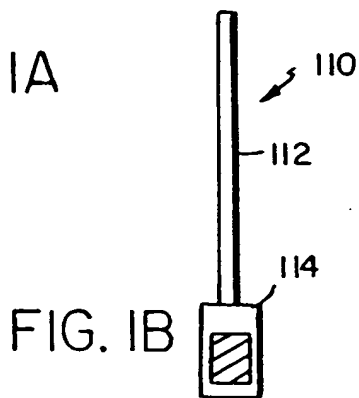


FIG. 1B

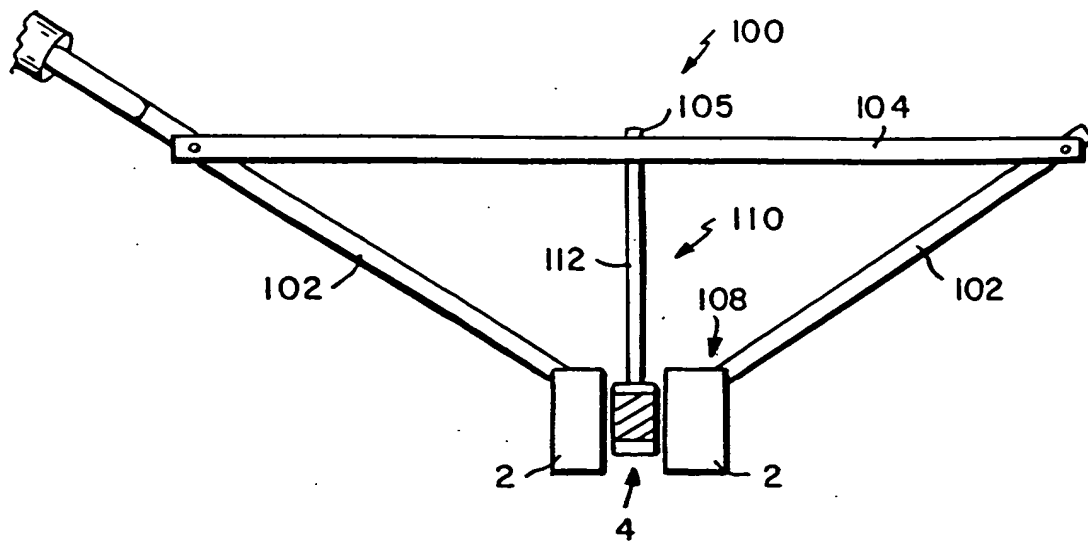


FIG. 2A

THE QUALITY OF THIS REPRODUCTION IS NOT GUARANTEED BY THE NATIONAL ARCHIVES

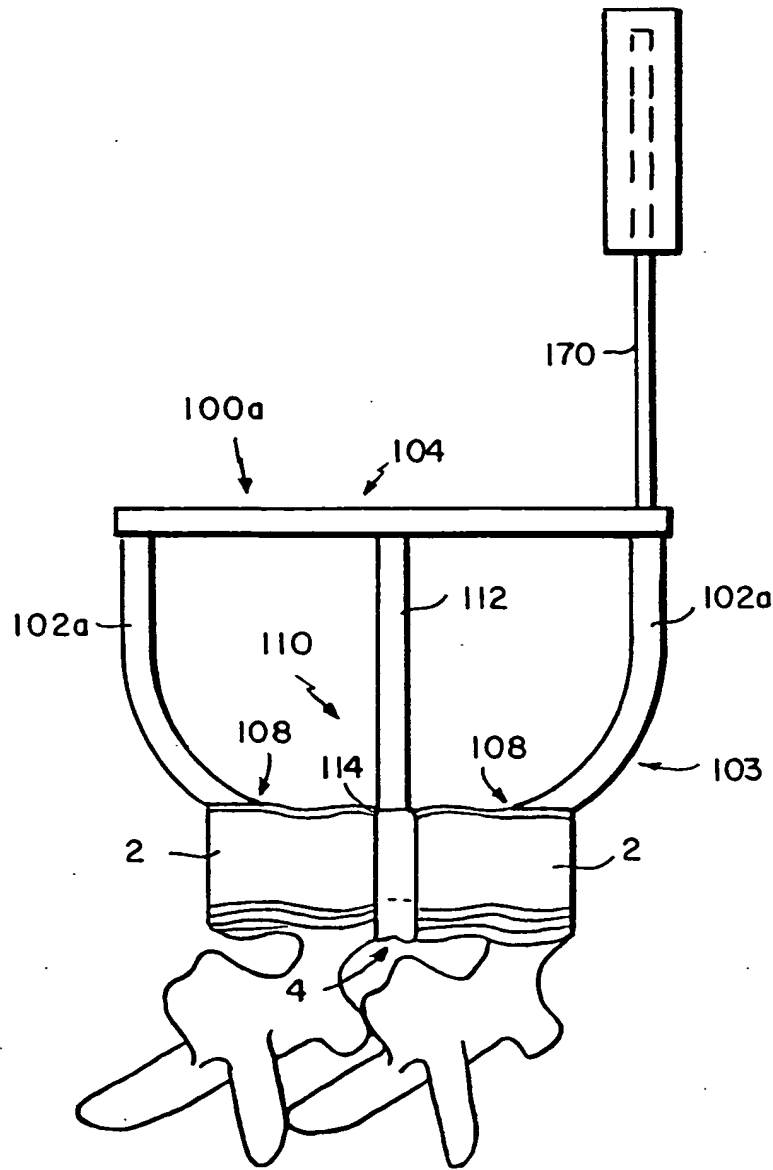


FIG. 2B

FIG. 2B

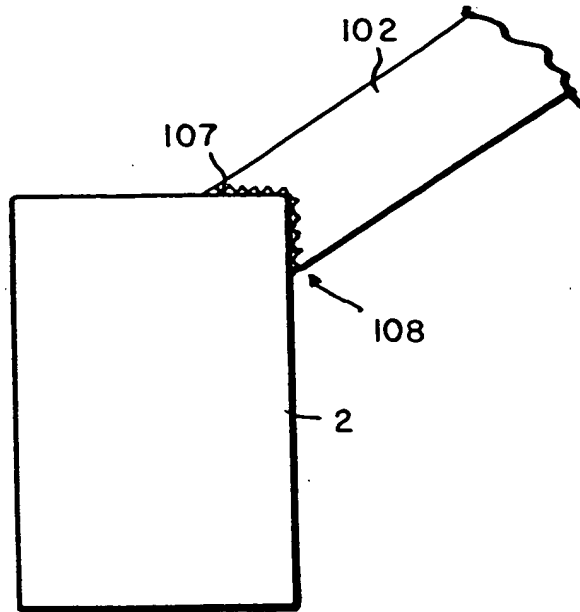


FIG. 3A

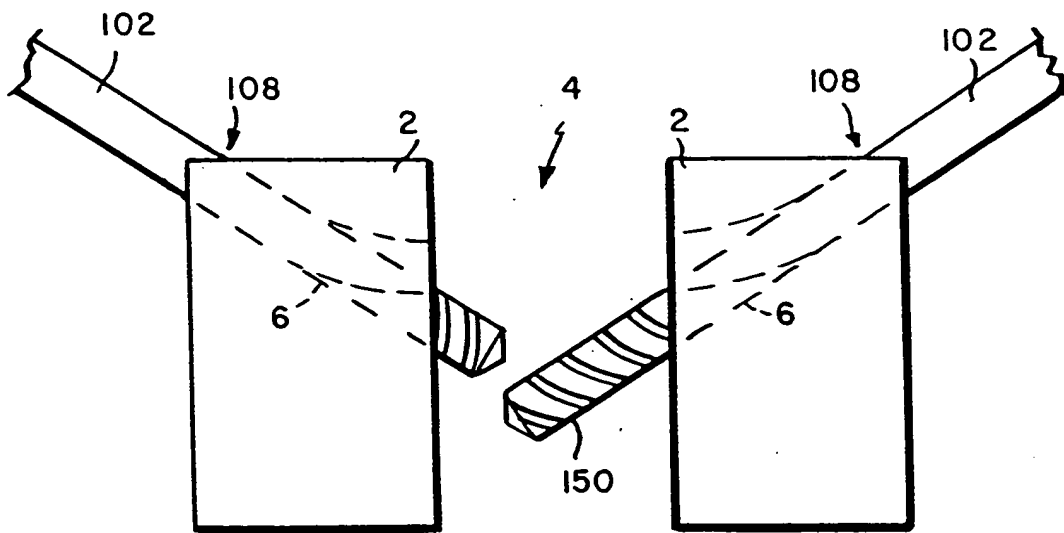


FIG. 3B

10/019265

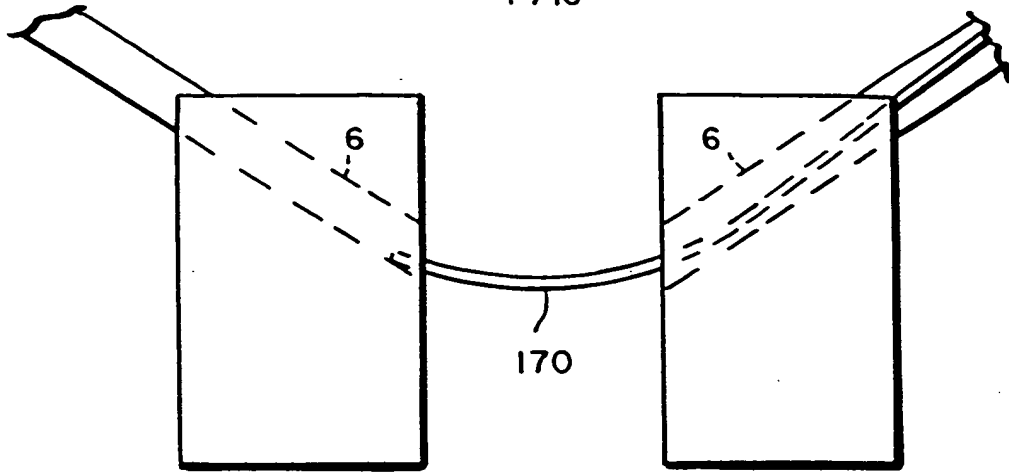


FIG. 3C

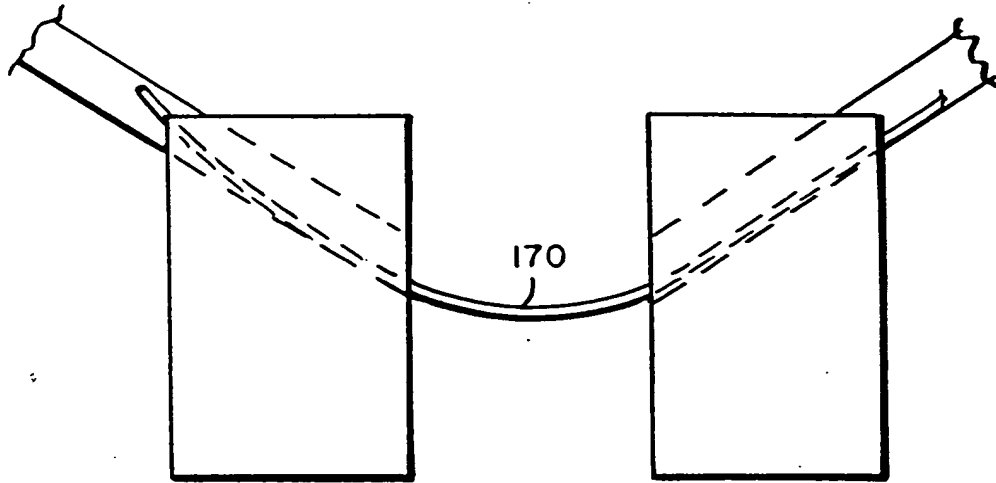


FIG. 3D

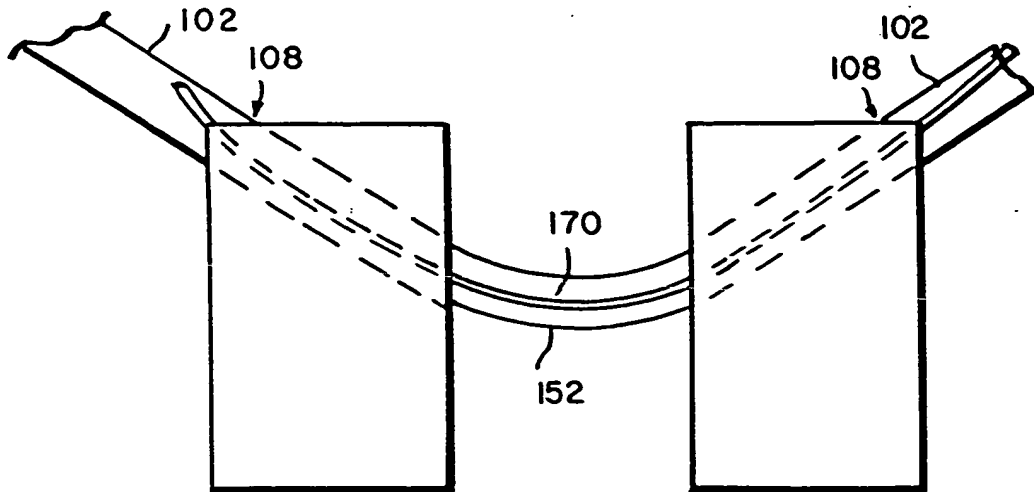


FIG. 3E

FIG. 3C

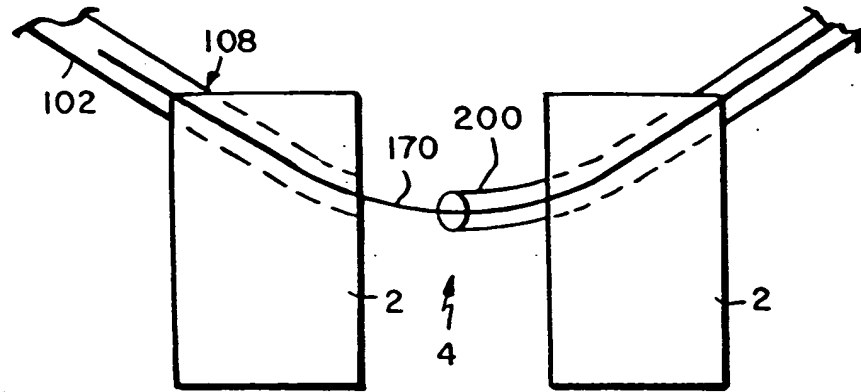


FIG. 4A

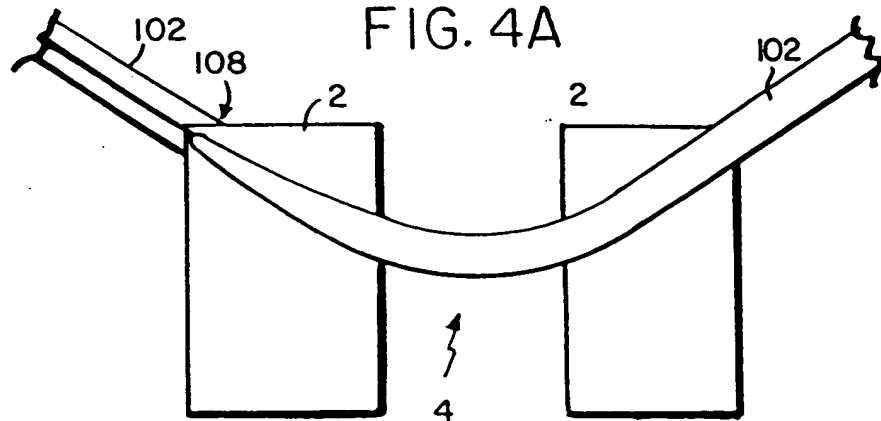


FIG. 4B

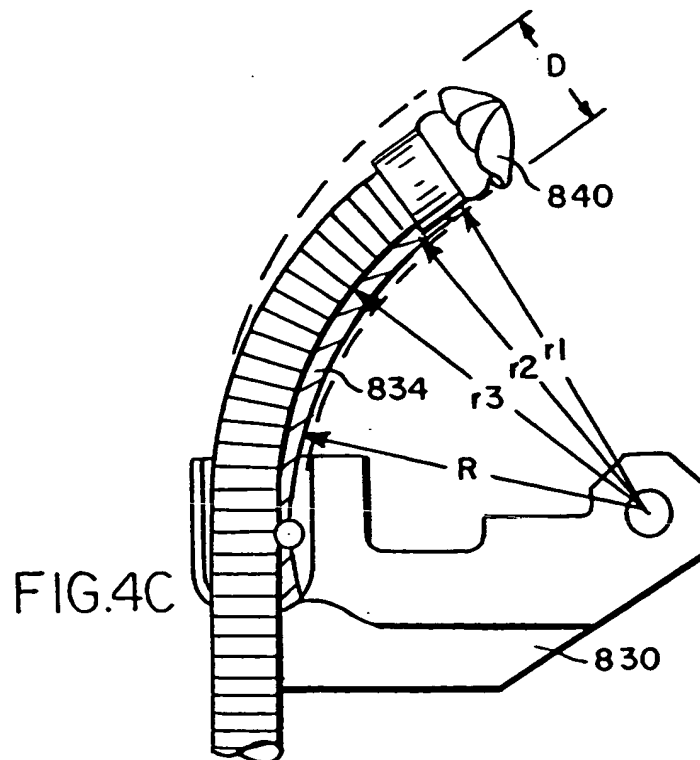


FIG. 4C

FIG. 4A

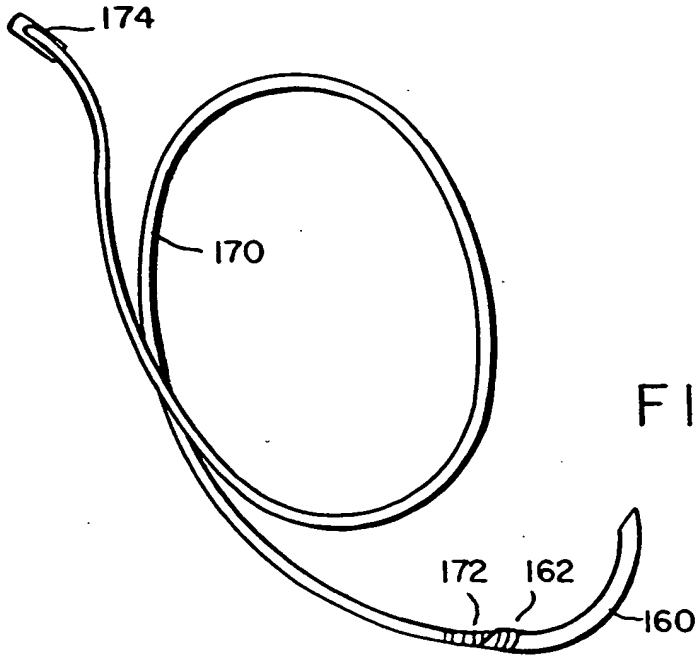


FIG. 5A

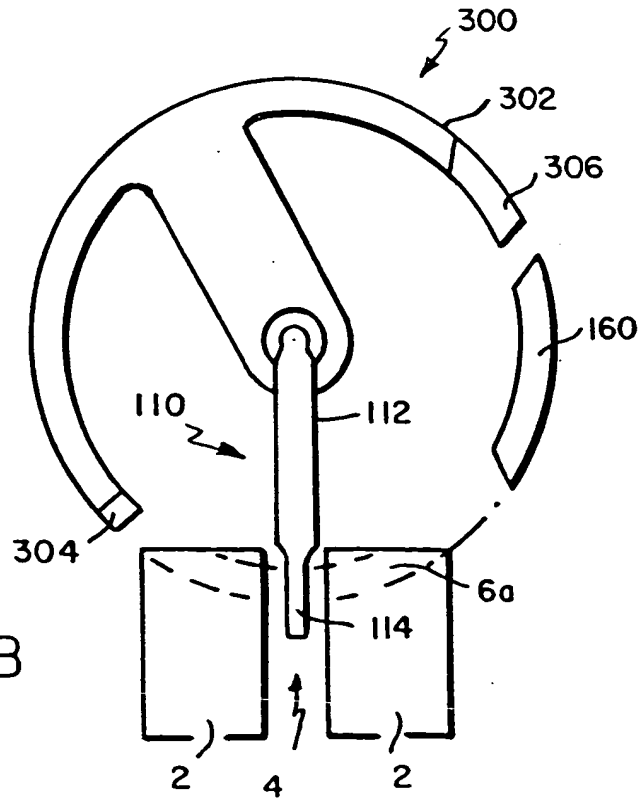


FIG. 5B

THE OFFICE OF THE ATTORNEY GENERAL HAS REVIEWED THIS DOCUMENT AND HAS DETERMINED THAT IT DOES NOT CONTAIN INFORMATION THAT IS UNLAWFUL TO DISCLOSE.

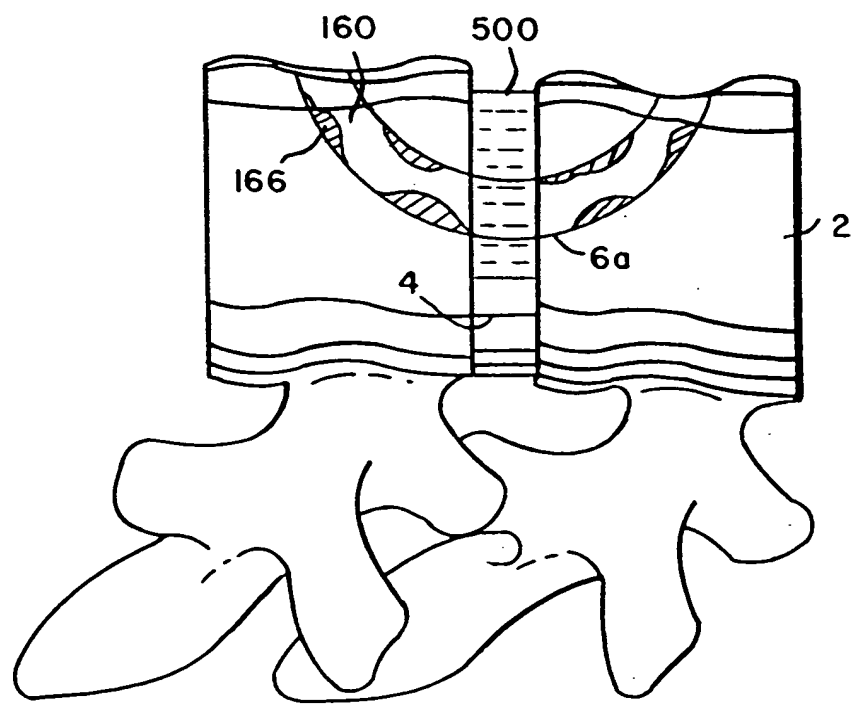


FIG. 6A

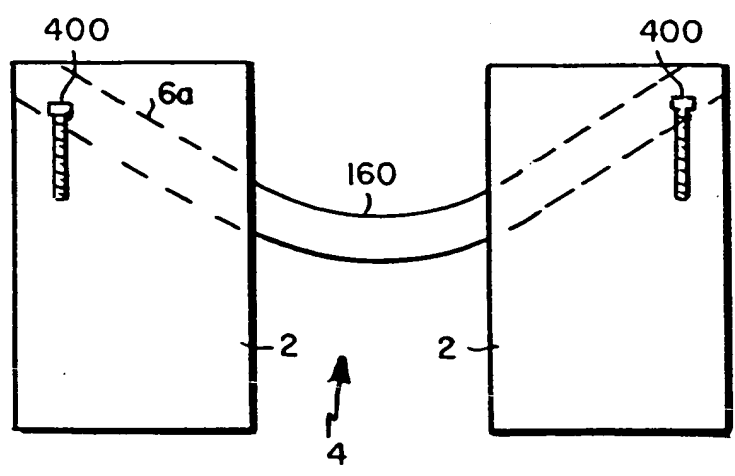


FIG. 6C

THE DRAWING IS NOT TO BE CONSIDERED AS LIMITING THE SCOPE OF THE INVENTION IN ANY MANNER.

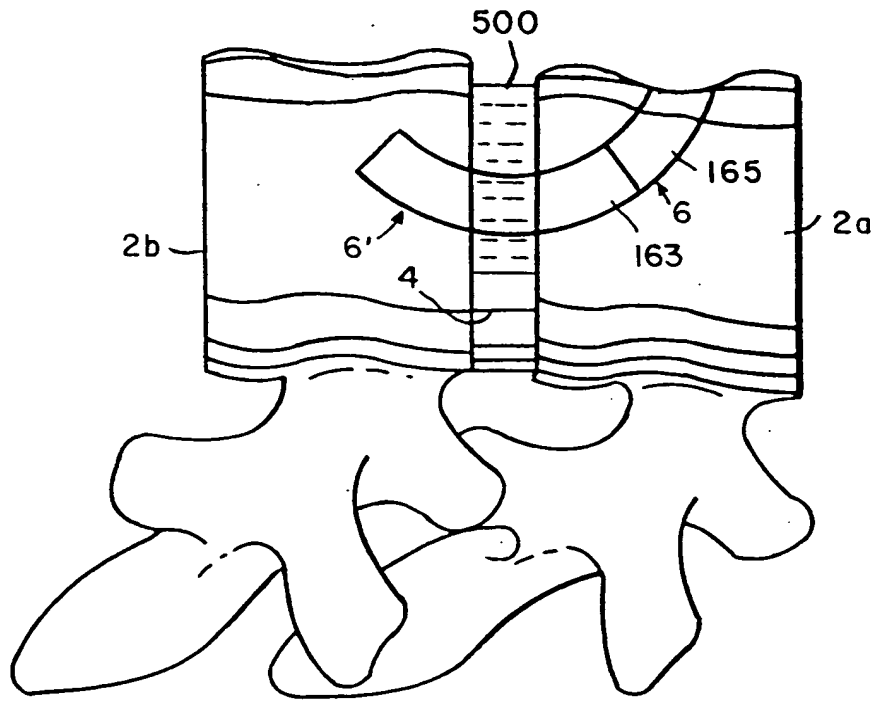


FIG. 6B

10/019265



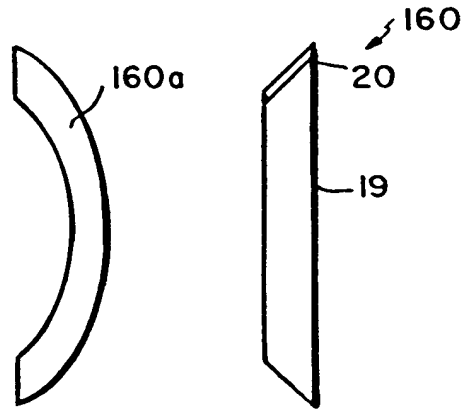


FIG. 7A FIG. 7B

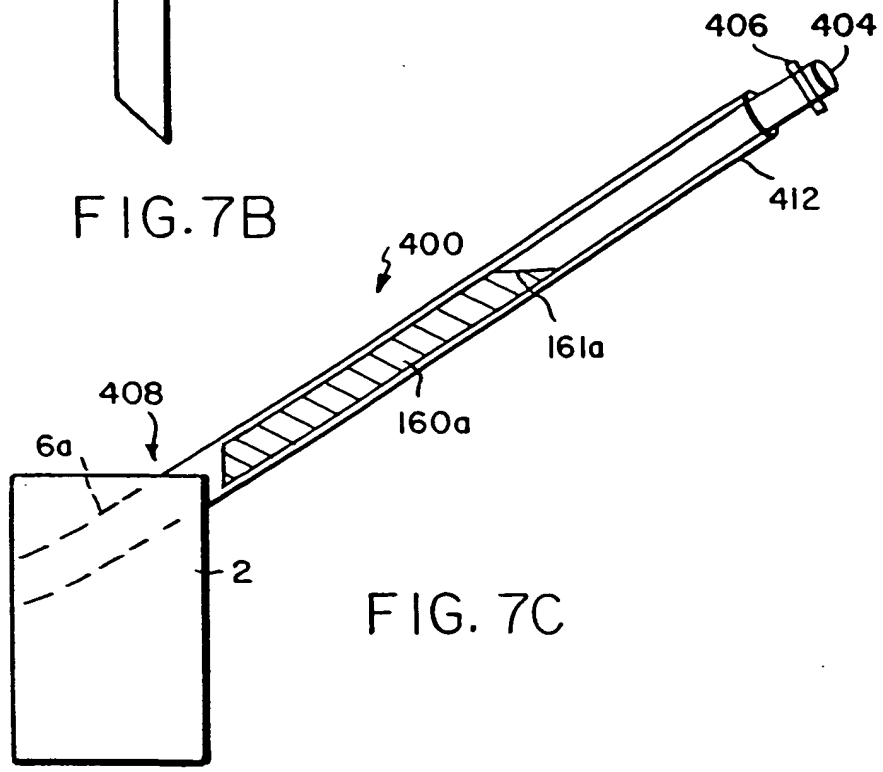


FIG. 7C

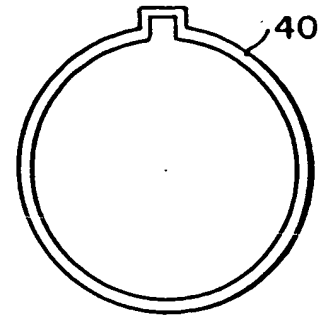


FIG. 8A

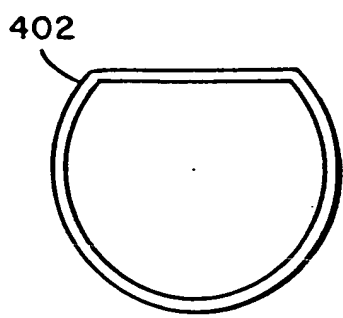


FIG. 8B

Vertical text on the left margin, likely a patent number or reference code.

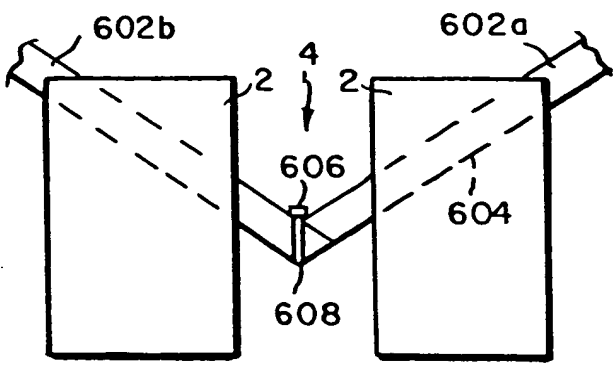


FIG. 9

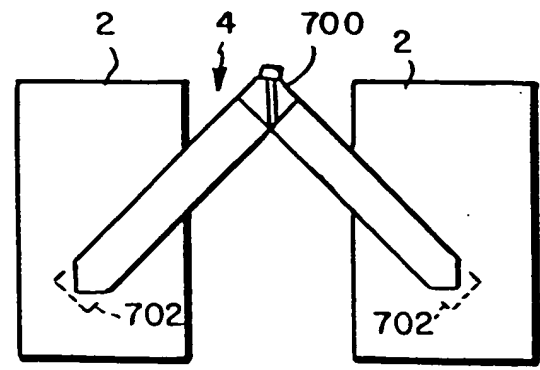


FIG. 10

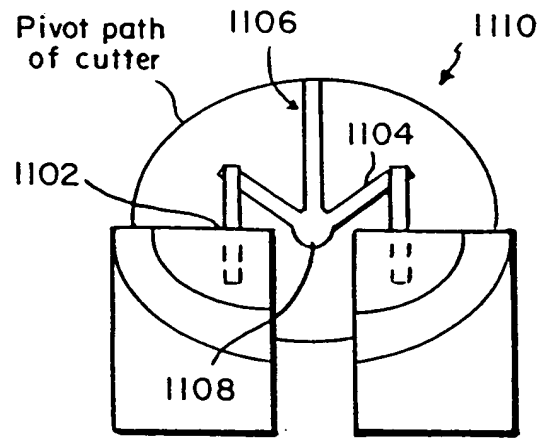


FIG. IIA

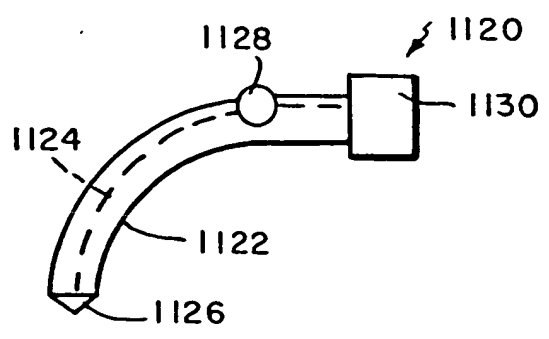


FIG. IIB

10/019265 10/16

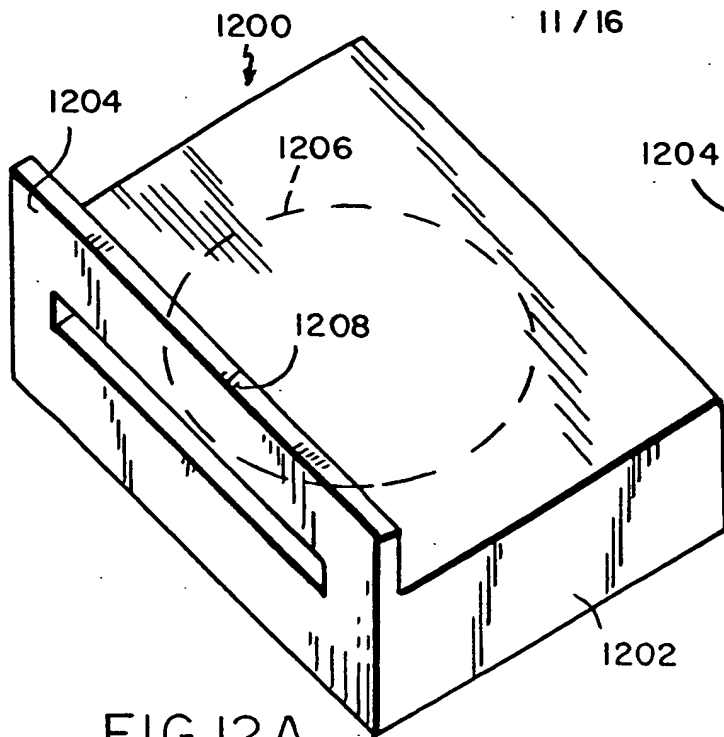


FIG. 12A

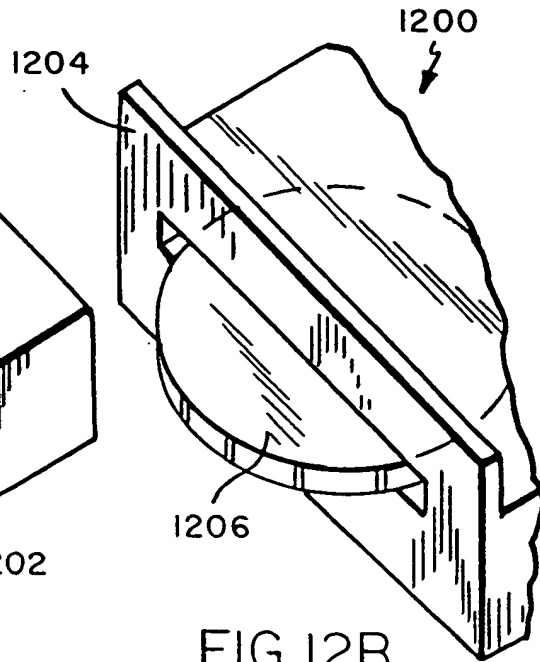


FIG. 12B

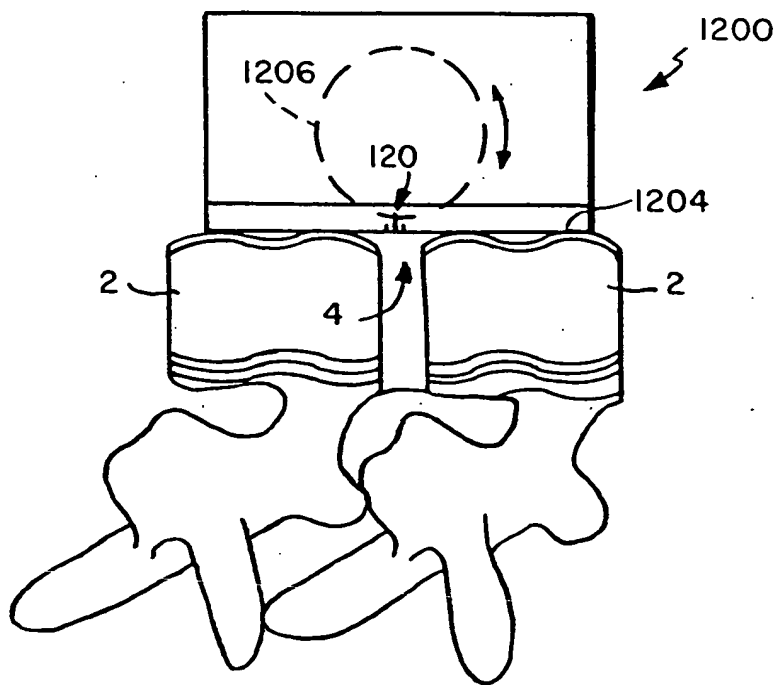


FIG. 12C

FIG. 12A

12/16

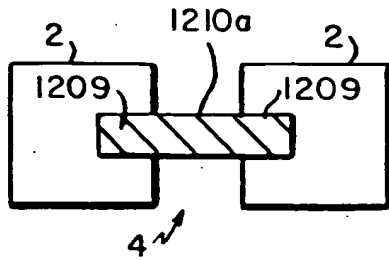


FIG. 12D

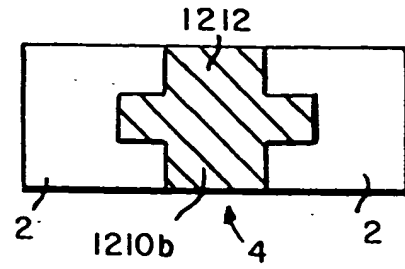


FIG. 12E

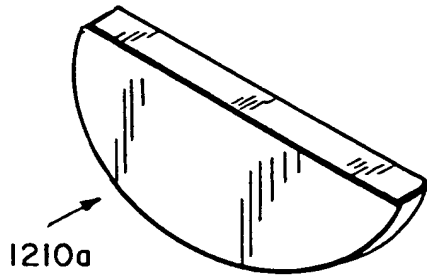


FIG. 12F

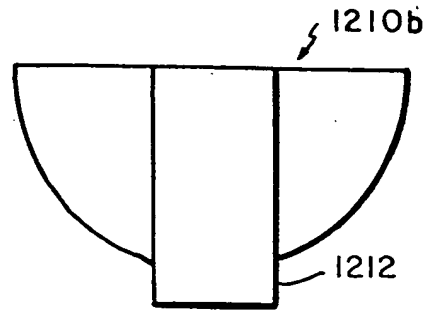


FIG. 12G

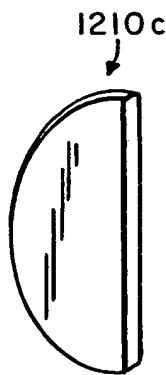


FIG. 12H



FIG. 12I

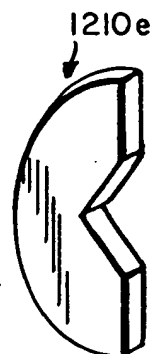


FIG. 12J

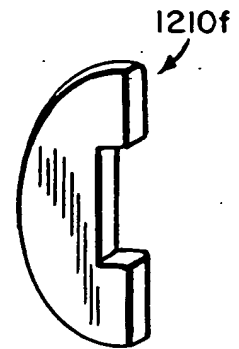


FIG. 12K

13/16

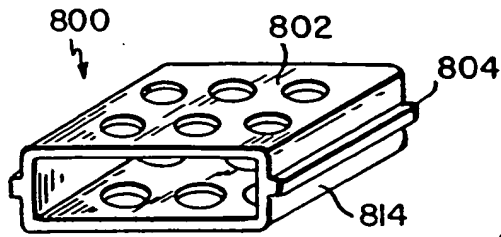


FIG. 13A

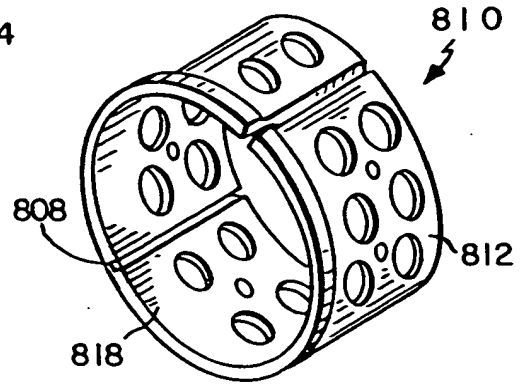


FIG. 13B

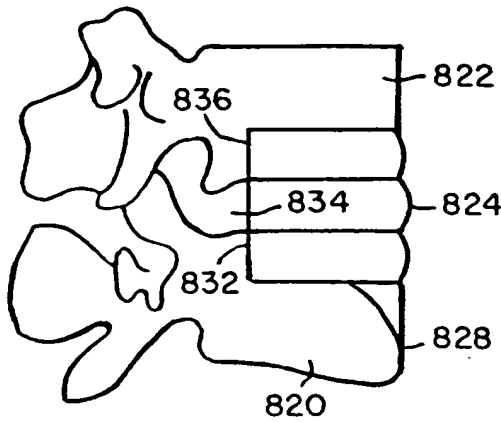


FIG. 13C

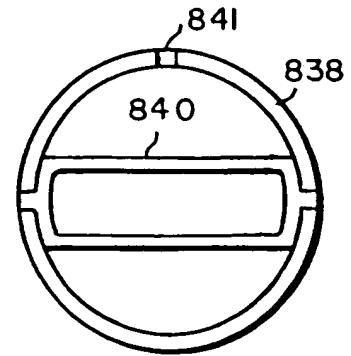


FIG. 13D

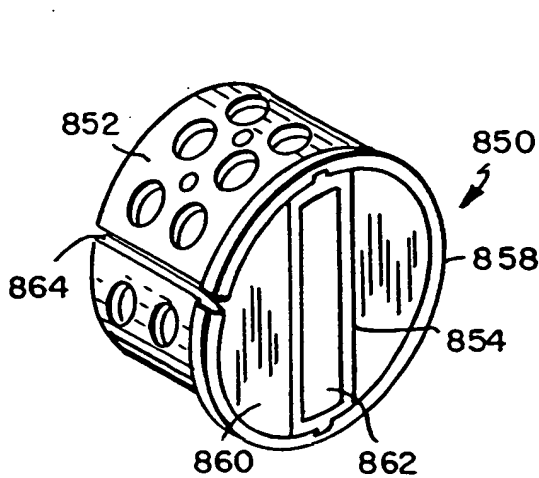


FIG. 13F

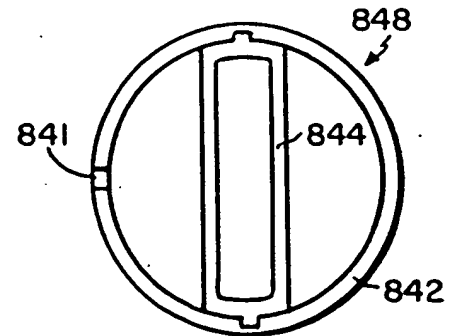


FIG. 13E

FIG. 13A

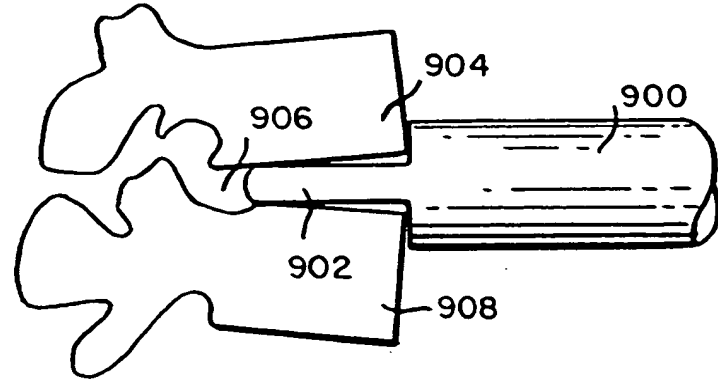


FIG. 14A

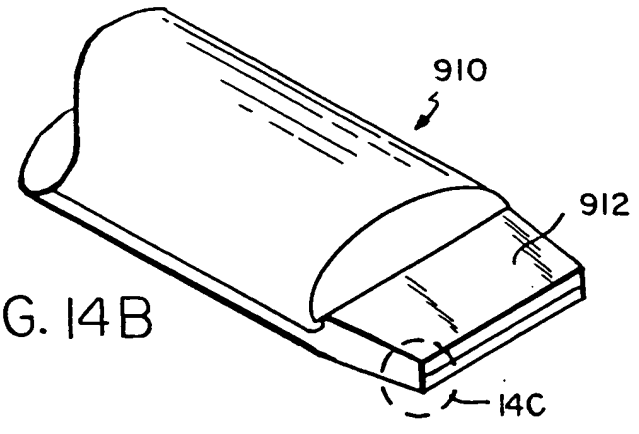


FIG. 14B

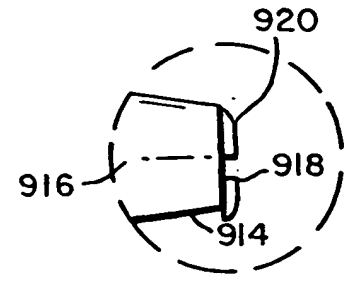


FIG. 14C

FIG. 14A

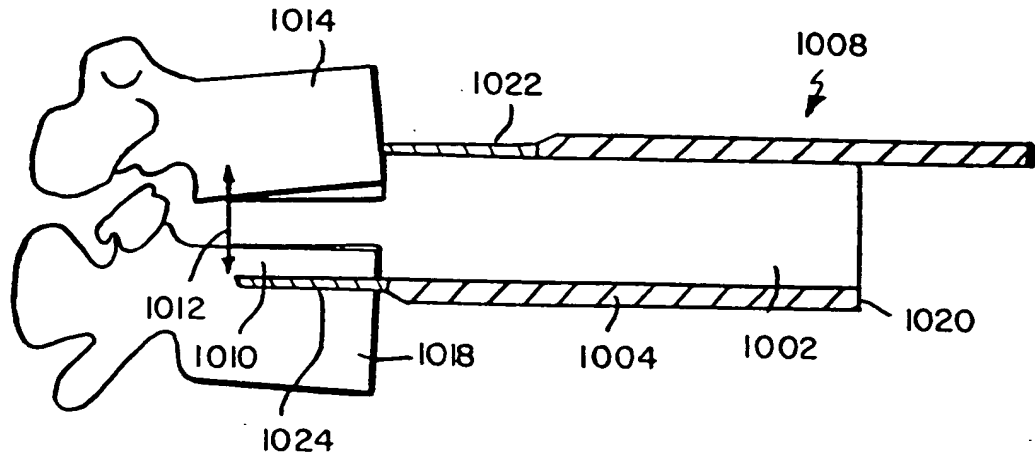


FIG. 15

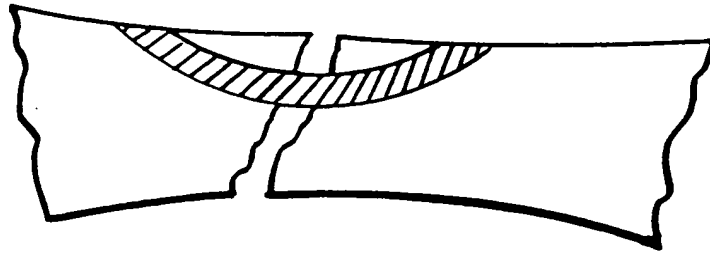


FIG. 16

10/019265

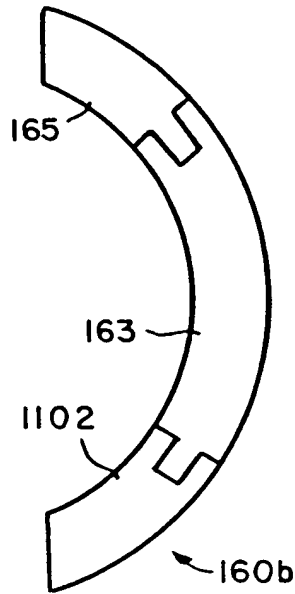


FIG. 17A

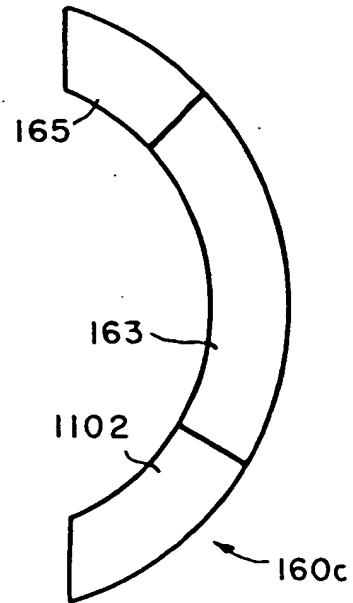


FIG. 17B

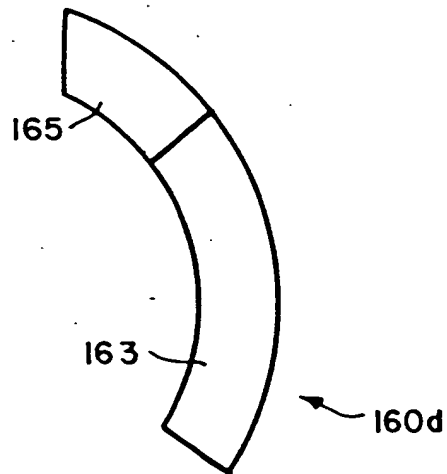


FIG. 17C

Approved for Release by NSA on 05-08-2014 pursuant to E.O. 13526